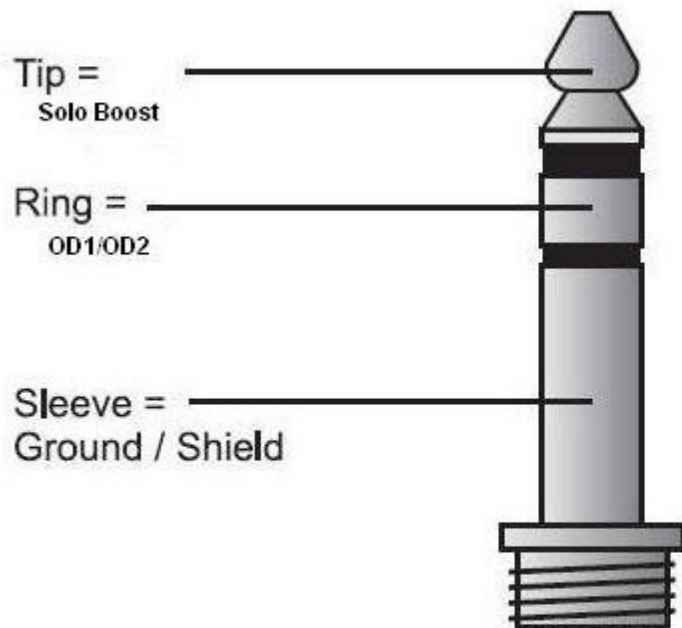


Quickrod/Nitro/Streetrod  
after serial # 460  
Footswitch Jack A connections



Quickrod/Nitro/Streetrod  
after serial # 460  
Footswitch Jack B Connections

